

[Valves. HGV/HPV]

**HAZEMAG**

**Experience.  
Innovation.  
Results.**

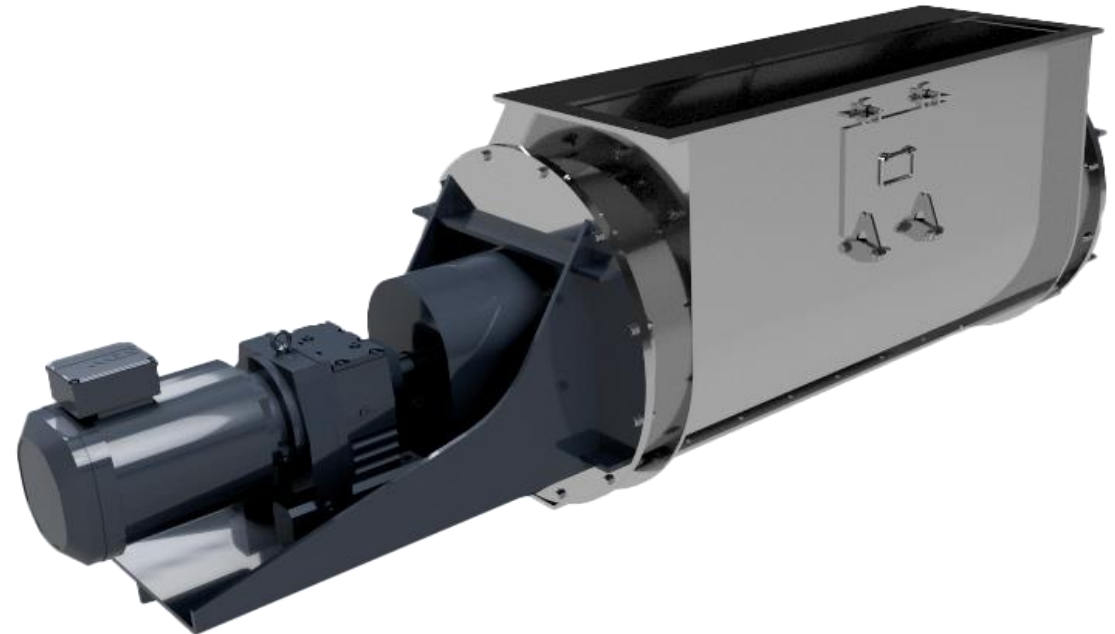
---

**Crushing | Screening | Feeding**

# Rotary Gate Valve

---

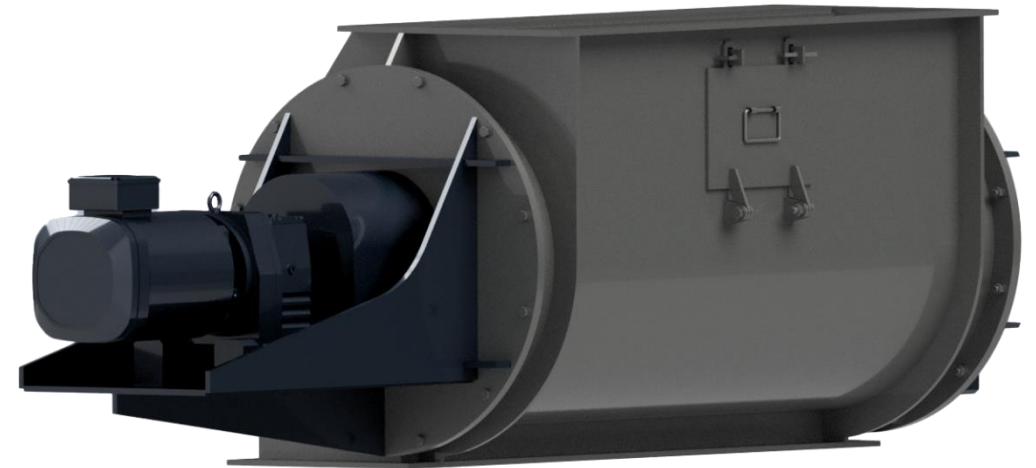
- Transfer of flowing material from one process stage to another avoiding entrance of false air
- Can be used as:
  - Feed or discharge valves
  - Air locks



# Application

---

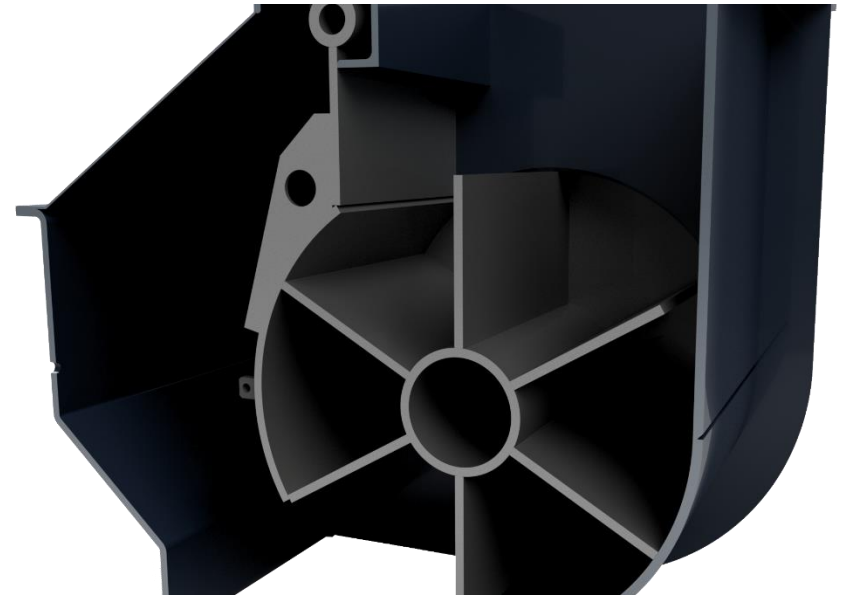
- Feed and discharge valves for processing equipment
  - Dryers
  - Kilns
  - Bag filters
  - Hammer mills
- Material characteristics:
  - Granular
  - Fine
  - Coarse
  - Lumpy



# Equipment

---

- Rotary Gate Valve
  - Inlet and outlet offset at a tangent to the rotary gate
  - Also available with retracting shield for bigger feed size
- Special designs available
  - Central lubrication
  - With measures to prevent material caking and for wear protection
- Gate features
  - Mechanical gear motor (HGV)



# Flap Gates

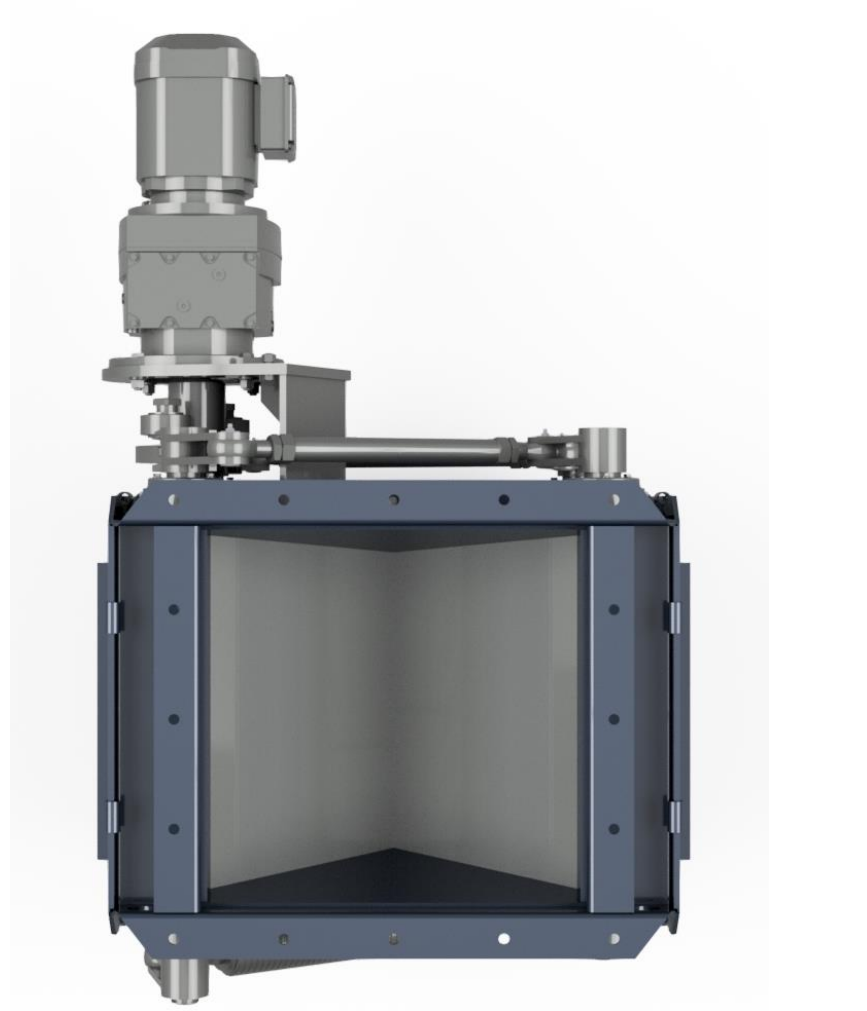
- Transfer of flowing material from one process stage to another avoiding entrance of false air
- Can be used as:
  - Feed or discharge valves
  - Air locks



# Application

---

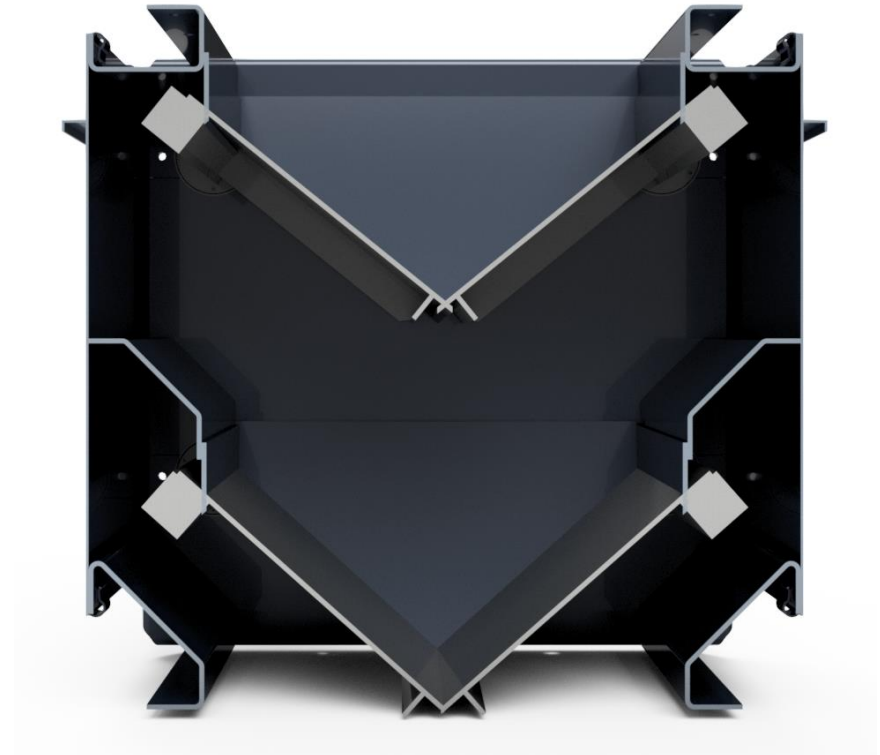
- Feed and discharge valves for processing equipment
  - Dryers
  - Kilns
  - Bag filters
  - Hammer mills
- Material characteristics:
  - Granular
  - Fine
  - Coarse
  - Lumpy



# Operation Method

---

- Pendulum Flap Gate
  - Feed or discharge valves for coarse, lumpy material
  - At high capacities and high differential pressures
  - Available as double or triple pendulum flap gat



# Equipment

---

- Special designs available
  - Central lubrication
  - With measures to prevent material caking and for wear protection
- Gate features
  - Either mechanical or hydraulic opening and closing (HPV)







[hazemag.com](https://hazemag.com)

Copyright ©2022 HAZEMAG Systems. All rights reserved.  
This document makes no offers, representations or warranties (express or implied),  
and information and data contained in this document are for general reference only  
and may change at any time.

