

[Hammermill. HNM]

HAZEMAG

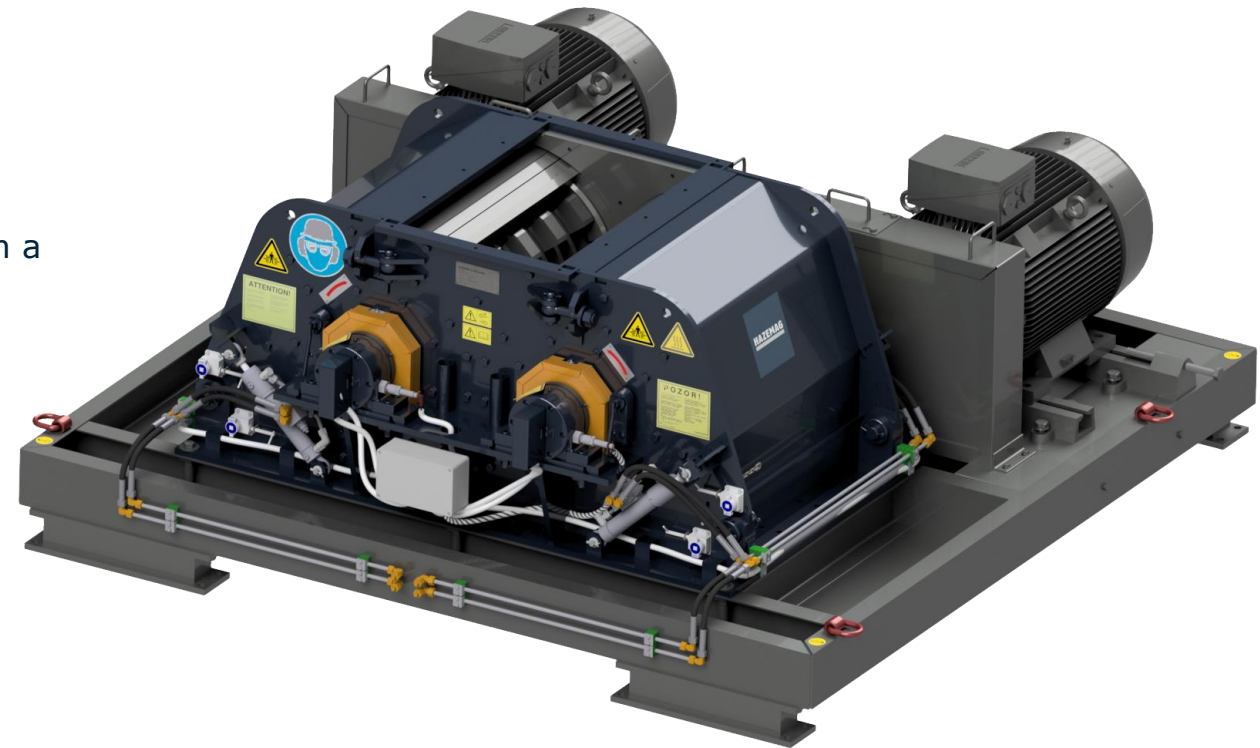
**Experience.
Innovation.
Results.**

Crushing | Screening | Feeding

Hammer Mill

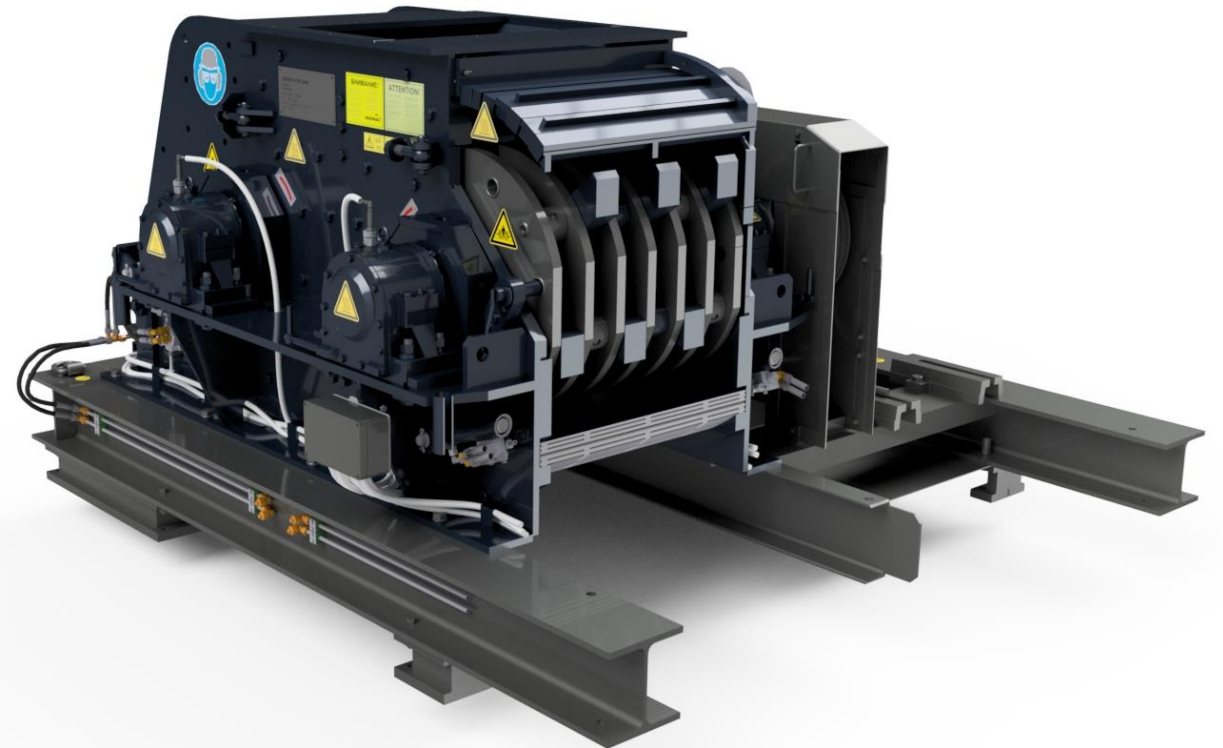
For fine grinding

- Two non-reversible rotors to achieve a high capacity with a minimum machine width
- In addition to fine grinding, the material is simultaneously dried in a single work process



Equipment

- Hammer mills can be adapted to different operating conditions
- Housing is lined with replaceable abrasion wear plates
- Hydraulically opening of hinged sections
- Simple replacement of mounted equipment
- Rotors with shaft and bearings
 - As a disc rotor, it is equipped with freely swinging hammers



Mill Drying

- Simultaneous drying and fine grinding
- Process gas is routed through the mill in direct flow with crushing material
- Dried goods leave the mill via grates and a downstream discharge screw-conveyor, with attached rotary gate valves
- Rotary gate valves serve for the exclusion of false air



Hnm

- Can be fed centrally or laterally
- Central feed arrangement provides a greater grinding volume
- Lateral feed effects the two-stage comminution
- Grinding chamber underneath the first rotor is enclosed
- Material can exit the grinding chamber only after passing the second rotor
- Generates a finer product





hazemag.com

Copyright ©2022 HAZEMAG Systems. All rights reserved.
This document makes no offers, representations or warranties (express or implied),
and information and data contained in this document are for general reference only
and may change at any time.

