

[Impact Crusher. HTI]

**HAZEMAG**

**Experience.  
Innovation.  
Results.**

---

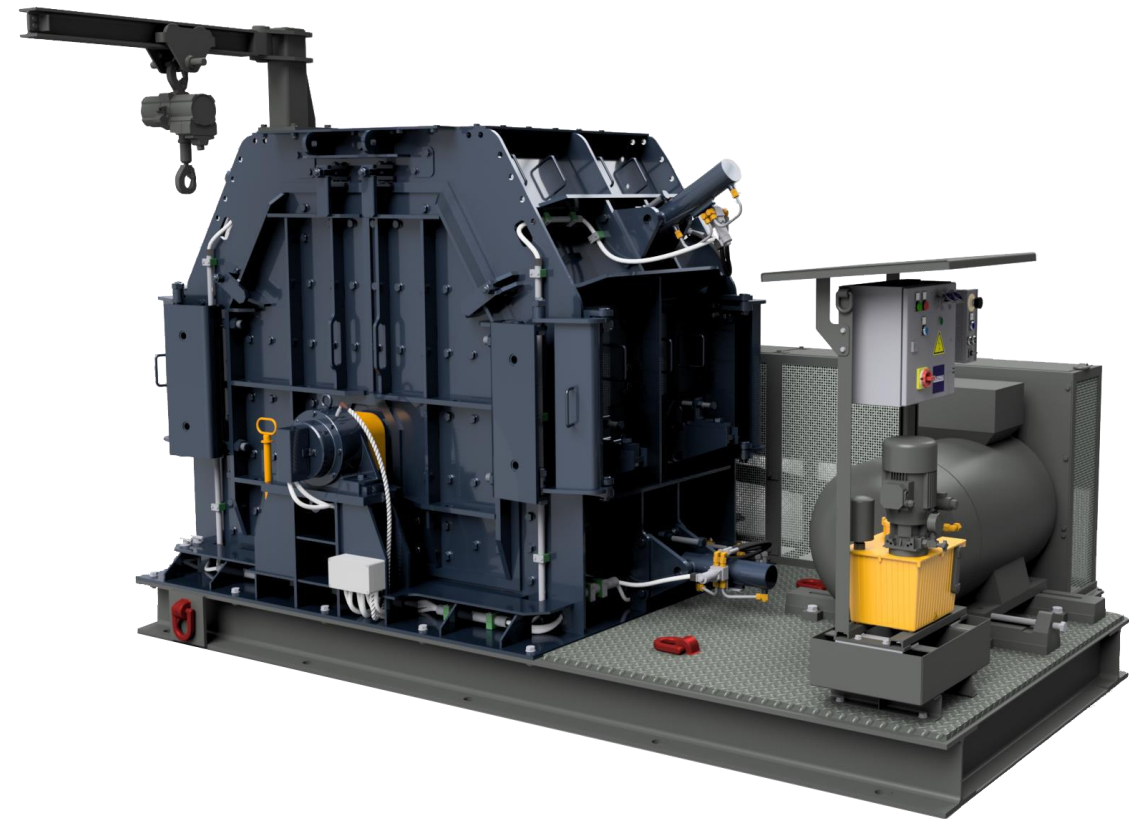
**Crushing | Screening | Feeding**

# Tertiary Impact Crusher

---

## Impactors for chippings and mechanical sand

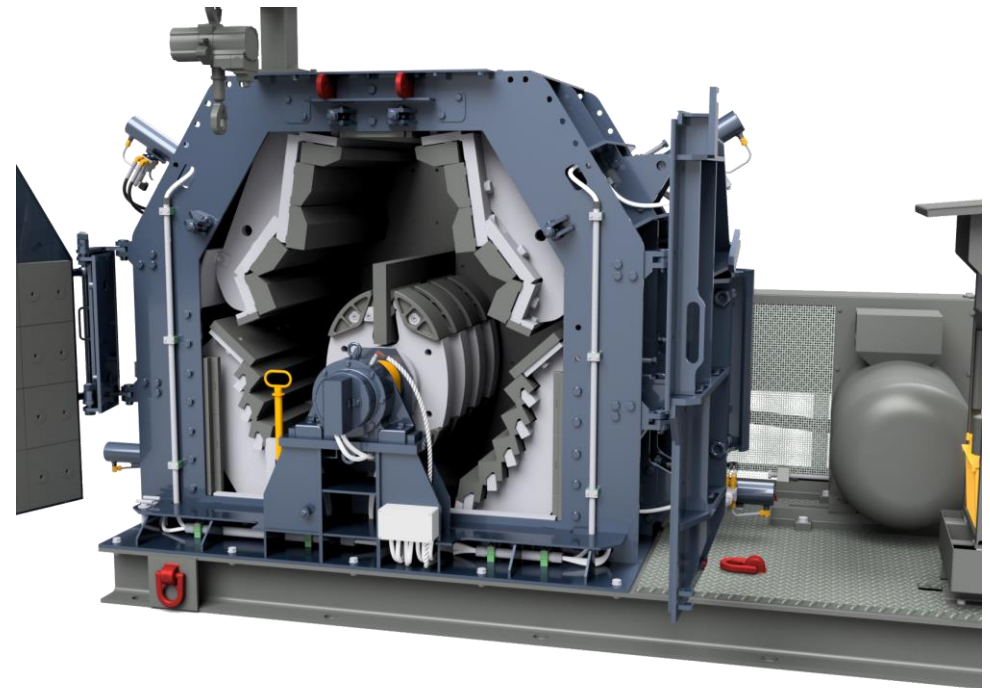
- Extreme reduction ratio: coarse and fine chippings, with perfect yield in sand & fine gravel with one machine only
- Reversible rotor
- Hydraulically adjustable impact apron and grinding path
- Large maintenance doors



# Operation Method

---

- The “Andreas System” was designed with two gravity hung impact aprons. Today hydraulic or spring supported aprons are commonly used
- This design created two impact areas assuring high ratios of reduction
- Reduction of the feed materials was achieved by true impact



# Equipment

---

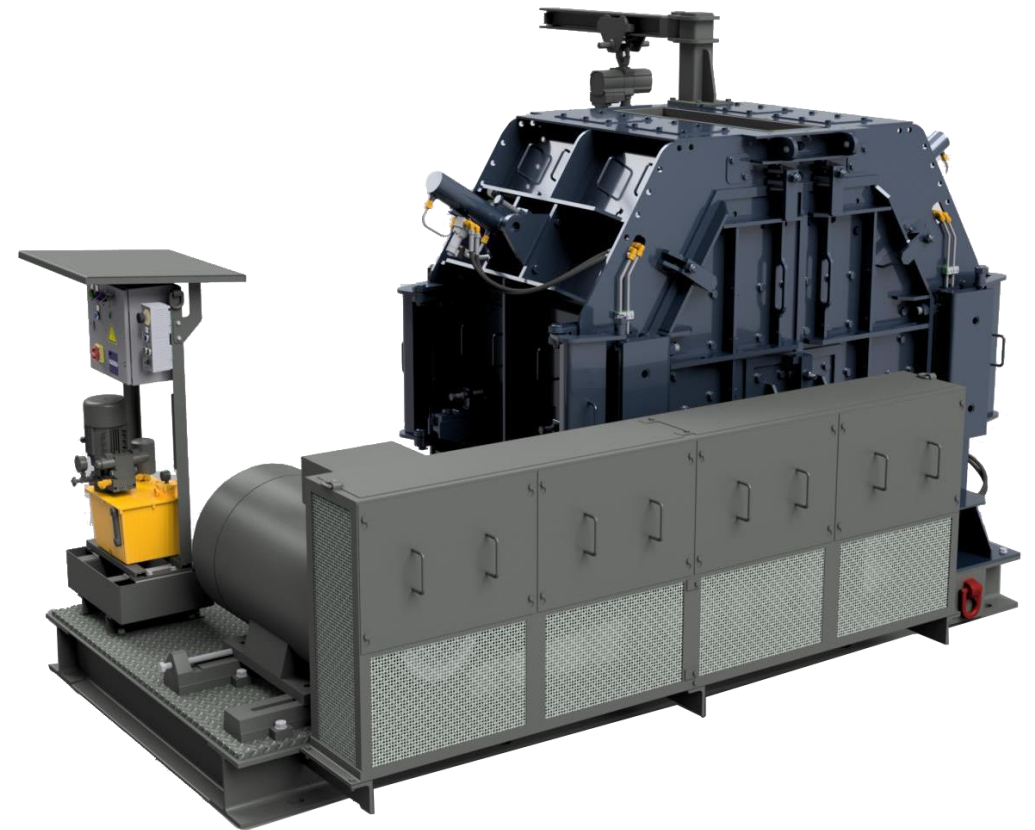
- Vertical inlet to allow smaller size feed material to penetrate into the rotor circumference
- Rotor direction is reversible
- Standardization of wear parts
- Economical exchange of wear parts
- Operating and maintenance costs clearly reduced
  - Use of wear-resistant blow bar materials
  - Design with a degree of utilization of more than 50 %



# Drive

---

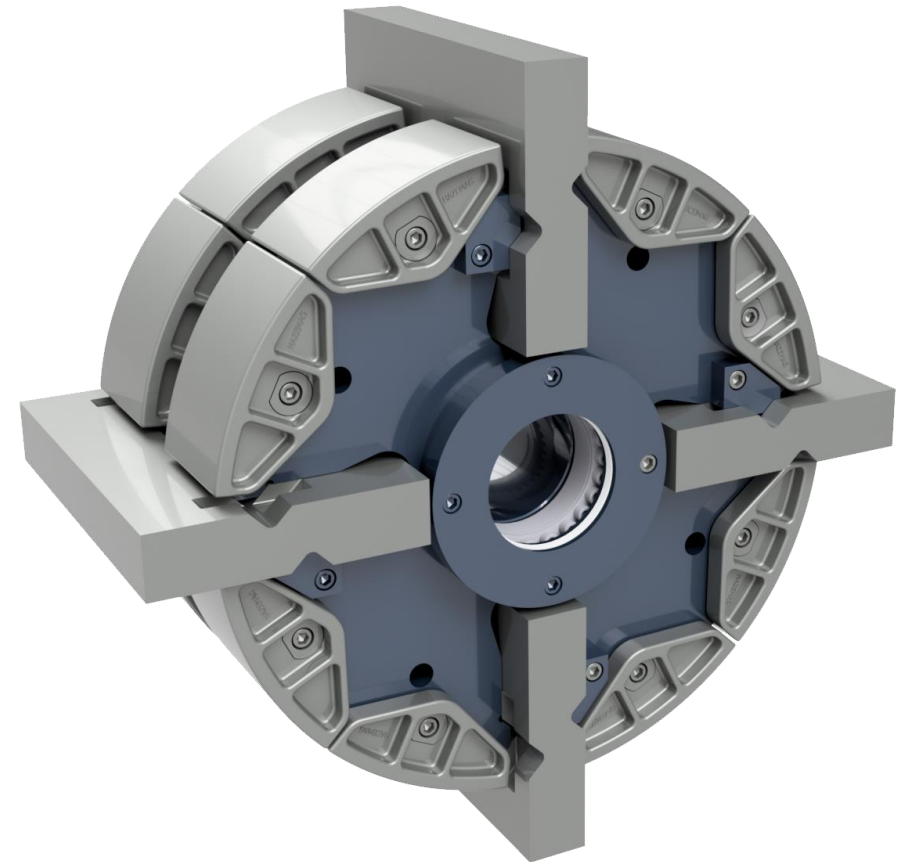
- Motor power is transmitted to the rotor by means of the v-belt drive or direct drive
- Crusher may be optionally fitted with a frequency converter
  - For influencing the fineness of the end product
  - By varying the rotor speed it is possible to specifically produce a desired grain size distribution
  - Consistent product grain curve during the lifetime of the blow bars



# Rotor

---

- Most stressed component during crushing procedure
- Depending on the crushing problem to be solved, two types of rotors are available:
- VR2-Rotor
  - Maximum feed size: 70 mm
  - Ideal for the production of crushed sand
  - Fitted with two rows of blow bars
- VR4-Rotor
  - Maximum feed size: 150 mm
  - Ideal for the production of high-quality chippings
  - Fitted with four rows of blow bars



# Hydraulic Features

---

- Impact aprons are retained in position by hydraulic cylinder
- Adjustment at the touch of a button
- Quick adoption to the individual production needs



[Impact Crusher. HSI]

**HAZEMAG**

**Experience.  
Innovation.  
Results.**

---

**Crushing | Screening | Feeding**